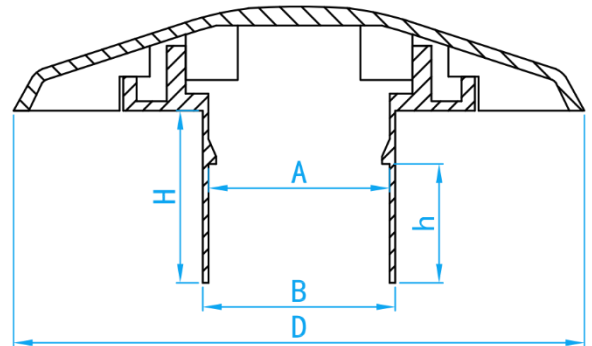
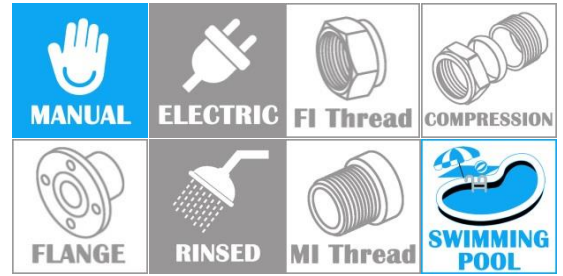


SPA POOL SUCTION PVC DOME COVER



CROSS SECTION VIEW

STANDARD SPECIFICATIONS

Max Pipe Size	50 MM
SUCT. Area (Estimated)	6800 MM ²
Max Flow	245 LT/MIN

DIMENSIONS

SKU	MATERIAL	A (mm)	B (mm)	D (mm)	h (mm)	H (mm)	WEIGHT (kg)	PCS/CTN
VJSC50	UPVC	47.9	50.9	150	31.4	45.5	0.115	-